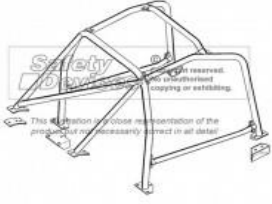
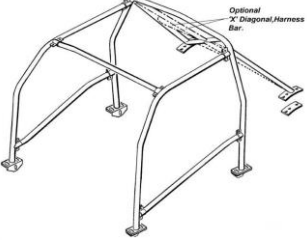
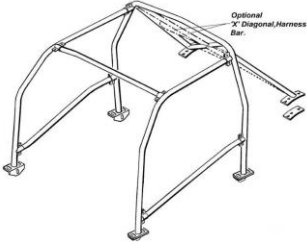
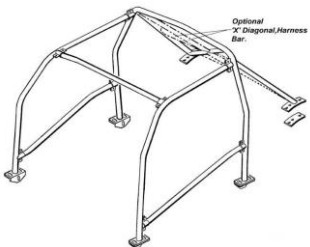


Make	Model	Part number	Description	Euro	
DATSUN	240Z (S30)		D 004	6 point bolt-in cage. Clears normal trim and dashboard. Mounts in 6 places to the floor and rear wheel arches. MSA/FIA homologated. Rear cage also fits 260Z, although not homologated without a front cage. A front cage is not available for the 260Z.	
			RBD004 3SSU	Front cage	€ 263,23
			RBD004 5SSU	Rear cage, single fixed diagonal	€ 385,21
			RBD004 5SSUHB	Rear cage, single diagonal + harness bar	€ 455,00
			RBD004 5SXU	Rear cage, cross diagonal and harness bar	€ 515,21
			RBD004 DSUN	Door bar N/S (LHS)	€ 70,32
			RBD004 DSUO	Door bar O/S (RHS)	€ 70,32
More information					
DATSUN	510 (pre 1968)		D 008	6 point bolt-in cage. Mounts in 6 places to the floor and rear wheel arches. MSA/FIA homologated.	
			RBD008 3SSS	Front cage	€ 263,23
			RBD008 5SSS	Rear cage, single fixed diagonal	€ 385,21
			RBD008 5SXS	Rear cage, cross diagonal and harness bar	€ 515,21
			RB00A1	Universal door bar (1 required per side)	€ 65,00
More information					
DATSUN	510 (post 1968)		D 007	6 point bolt-in cage. Mounts in 6 places to the floor and rear wheel arches. MSA/FIA homologated.	
			RBD007 3SSS	Front cage	€ 263,23
			RBD007 5SSS	Rear cage, single fixed diagonal	€ 385,21
			RBD007 5SXS	Rear cage, cross diagonal and harness bar	€ 515,21
			RB00A1	Universal door bar (1 required per side)	€ 65,00
More information					

Make	Model	Part number	Description	Euro
DATSUN	280Z (HS130)	D 011	6 point bolt-in cage. Mounts in 6 places to the floor and rear wheel arches. MSA/FIA homologated.	
		RBD011 3SSS	Front cage	€ 263,23
		RBD011 5SSS	Rear cage, single fixed diagonal	€ 385,21
		RBD011 5SSUHB	Rear cage, single fixed diagonal + harness bar	€ 455,00
		RBD011 5SXS	Rear cage, cross diagonal, harness bar	€ 525,21
		RB00A1	Universal door bar (1 required per side)	€ 65,00



[More information](#)