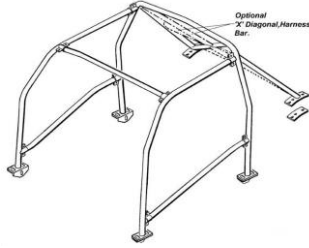
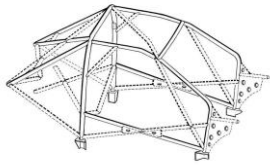
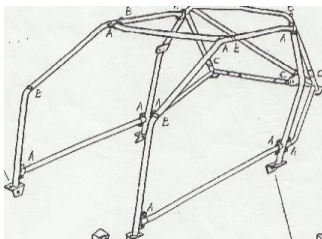
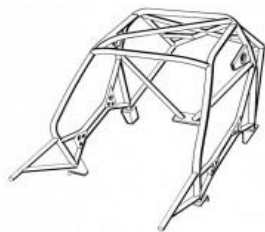
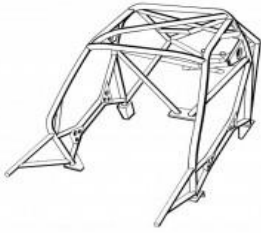
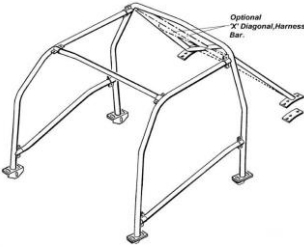
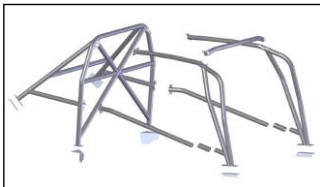
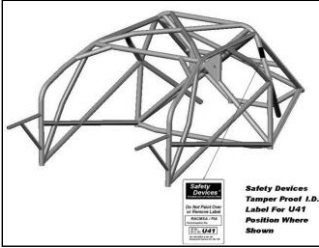


Make	Model	Part number	Description	Euro	
MITSUBISHI	Colt Starion		U 007	6 point bolt in cage. Clears all normal trim and dashboard. Harness bar in main hoop. Rear cage has single fixed diagonal. MSA/FIA homologated.	
			RBU007 3SSU	Front cage	€ 258,30
			RBU007 5SSU	Rear cage, single fixed diagonal	€ 371,28
			RBU007 5SRU	Rear cage, single removable diagonal	€ 455,28
			RBU007 5SXU	Rear cage, cross diagonal and harness bars	€ 501,28
			RBU007 DSUN	Single door bar nearside (left)	€ 71,51
			RBU007 DSUO	Single door bar offside (right)	€ 71,51
More information					
MITSUBISHI	Lancer EVO 2 and Lancer 4x4 RS Turbo EVO 3 (1993)		U 016	CDS full weld-in cage with cross door bars, cross diagonal in backstays, single roof diagonal, lower backstays, front triangulation, harness bars, rear strut brace, tunnel brace, rear floor bracing. MSA/FIA homologated.	
			RBU016 6SXX	CDS full weld-in cage	€ 864,37
More information					
MITSUBISHI	Galant VR4		U 010	Multi-point bolt in cage. Harness bar in main hoop. Rear cage has single fixed diagonal. MSA/FIA homologated.	
			RBU010 3SMU	Front cage	€ 254,13
			RBU010 5SMU	Rear cage, single fixed diagonal and harness bar	€ 402,08
			RBU010 5SXU	Rear cage, cross diagonal and harness bar	€ 532,08
			RBU010 DSUN	Single door bar nearside (left)	€ 71,96
			RBU010 DSUN	Single door bar offside (right)	€ 71,96
More information					
MITSUBISHI	EVO 4, EVO 5, EVO 6		U 021	Full weld-in CDS cage. Cross diagonal and harness bars, low back stay, tunnel brace, cross door bars, diff brace, roof diagonal, front triangulation. MSA/FIA homologated.	
			RBU021 6SSX	CDS full weld-in cage	€ 945,00
More information					

Make	Model	Part number	Description	Euro
MITSUBISHI	EVO 4, EVO 5, EVO 6	U 021	CDS full weld-in cage. Cross diagonal and harness bars, lower back stay, tunnel brace, cross door bars, diff brace, roof diagonal, front triangulation. With additional parts for suspension mounts. MSA/FIA homologated.	
		RBU021 6SXX	CDS full weld-in cage.	€1 150,63
				
More information				
MITSUBISHI	EVO 4, EVO 5, EVO 6	U 031	6 point bolt in cage. Clears all normal trim and dashboard. Harness bar in main hoop. Rear cage has single fixed diagonal. MSA/FIA homologated.	
		RBU031 3SSU	Front cage	€ 258,30
		RBU031 5SSU	Rear cage, single fixed diagonal	€ 371,28
		RBU031 5SXU	Rear cage, cross diagonal and harness bar	€ 497,28
		RBU031 DSUN	Single door bar nearside (left)	€ 71,51
		RBU031 DSUO	Single door bar offside (right)	€ 71,51
				
More information				
MITSUBISHI	EVO 7, EVO 8, EVO 8 MR, EVO 9	U 037	6 point bolt-in cage to clear normal trim and dashboard. Front cage mounts to sills, rear cage mounts to sills/rear wheel arches. Complies with FIA Appendix J.	
		RBU037 3SSU	Front cage	€ 254,13
		RBU037 4SSU	Rear cage, no diagonal	€ 298,73
		RBU037 5SSU	Rear cage, single fixed diagonal	€ 346,29
		RBU037 5SRU	Rear cage, single removable diagonal	€ 451,50
		RBU037 5SXU	Rear cage, cross diagonal and harness bars	€ 449,69
		RBU037 DSUN	Single door bar nearside (left)	€ 67,62
		RBU037 DSUO	Single door bar offside (right)	€ 67,62
				
More information				

Make	Model	Part number	Description	Euro
MITSUBISHI	EVO 7, EVO 8, EVO 8 MR, EVO 9	U 041	CDS full weld-in cage with cross door bars, cross diagonal in backstays, cross roof diagonal, cross in main hoop, diff bracing, pit prop, lower backstays, front triangulation, harness bars, tunnel brace. MSA/FIA homologated.	
	RBU041 6SXX	CDS full weld-in cage	€1 223,88	
More information				