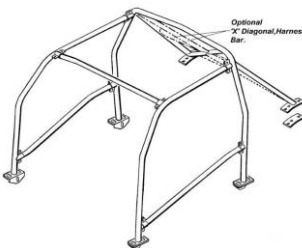
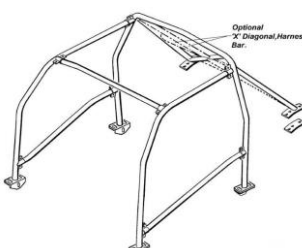

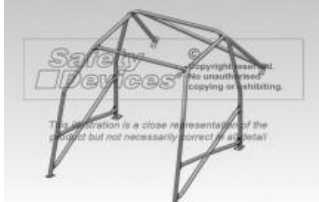
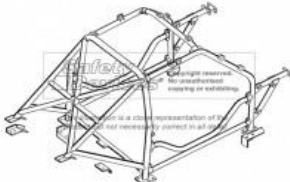
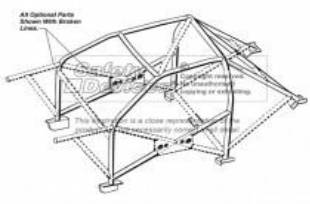
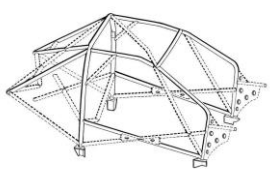


Make	Model	Part number	Description	Euro
RENAULT	5 (1985-1996)	R 001	6-point bolt-in cage. Clears normal trim and dashboard. Mounts to the floor and rear wheel arches. MSA/FIA homologated.	
		RBR001 3SSS	Front cage	€ 226,83
		RBR001 5SSS	Rear cage, single fixed diagonal	€ 345,07
		RBR001 5SXS	Rear cage, cross diagonal and harness bar	€ 475,07
		RB00A1	Universal door bar (one required per side)	€ 65,00
				
More information				
RENAULT	5 GT Turbo (1985-1991)	R 005	6-point bolt-in cage. Clears normal trim and dashboard. Mounts to the floor and rear wheel arches. Single unique door bars. MSA/FIA homologated.	
		RBR005 3SSU	Front cage	€ 238,97
		RBR005 5SSU	Rear cage, single fixed diagonal	€ 357,21
		RBR005 5SXU	Rear cage, cross diagonal and harness bar	€ 487,21
		RBR005 DSUN	Single door bar N/S (left)	€ 64,25
RBR005 DSUO	Single door bar O/S (right)	€ 64,25		
				
More information				
RENAULT	Clio Mk1 (1990-1997)	R 008	8-point bolt-in cage. Clears normal trim and dashboard. Mounts to the floor, B-post and rear wheel arches. Single unique door bars. MSA/FIA homologated.	
		RBR008 3SSU	Front cage	€ 238,97
		RBR008 5SSU	Rear cage, single fixed diagonal	€ 323,83
		RBR008 5SXU	Rear cage, cross diagonal and harness bar	€ 453,83
		RBR008 DSUN	Single door bar N/S (left)	€ 64,25
RBR008 DSUO	Single door bar O/S (right)	€ 64,25		
More information				
RENAULT	Clio Mk1 (1990-1997)	R 009	17 point multi-point bolt-in cage. Mounts to sills, rear wheel arches, cant rails, B-posts and screen pillars. Rear cage with cross diagonal and tunnel brace. Mounts to front with slipper tubes. Front cage with front triangulation and dash mountings. Single unique door bars. MSA/FIA homologated.	
		RBR009 3SMU	Front cage, with triangulation brackets	€ 329,97
		RBR009 5SXU	Rear cage, cross diagonal, tunnel brace	€ 465,29
		RBR009 DSUN	Single door bar N/S (left)	€ 64,25
		RBR009 DSUO	Single door bar O/S (right)	€ 64,25
RBR009 FST	Front triangulation	€ 214,63		
More information				

Make	Model	Part number	Description	Euro
RENAULT	Clio Mk1 (1990-1997)	R 006	CDS full weld-in cage for Group A and N. Comprises of main hoop, upper and lower backstays, cross diagonal, rear strut brace, tunnel brace, roof diagonal, cross door bars and front triangulation. MSA/FIA homologated.	
		RBR006 6SSS	CDS full weld-in cage for Group A and N	€ 860,44
More information				
RENAULT	Clio Mk1 (1990-1997)	R 007	T45 full weld-in cage for Group A and N. Comprises of main hoop, upper and lower backstays, cross diagonal, rear strut brace, tunnel brace, roof diagonal, cross door bars and front triangulation. MSA/FIA homologated.	
		RBR007 6SSS	T45 full weld-in cage for Group A and N	POA
More information				
RENAULT	Clio Mk2 (1997-2005), no sunroof	R 016	6-point bolt-in cage. Clears normal trim and dashboard. Mounts to the floor, B-post and rear wheel arches. Rear cage with cross diagonal in main hoop and backstay plane, harness bar and tunnel brace. Cross door bars. Optional cross diagonal in roof. Complies with FIA Appendix J.	
		RBR016 3SXX	Front cage for cross doorbars	€ 263,23
		RBR016 5SXX	Rear cage, cross diagonal, harness bar, tunnel brace	€ 516,60
		RBR016 0RD	Roof cross diagonal option	€ 184,80
		RBR016 DXUN	Cross door bar N/S (left)	€ 135,80
		RBR016 DXUO	Cross door bar O/S (right)	€ 135,80
More information				
RENAULT	Clio Mk2 (1997-2005), no sunroof	R 017	6 point bolt in track day and race cage that allows use of rear seats. Clears all standard Renault trims and dashboard. Mounts to the floor and rear wheel arches. All mounting plates, towers, bolts and fixings supplied. Specification to MSA Blue Book. Not homologated.	
		RBR017 3SSU	Front cage for single door bars	€ 238,97
		RBR017 5SRU	Rear cage, single removable diagonal and harness bar	€ 491,74
		RBR017 5SXU	Rear cage, fixed cross diagonal and harness bar	€ 491,74
		RBR017 DSUN	Single door bar N/S (left)	€ 64,25
		RBR017 DSUO	Single door bar O/S (right)	€ 64,25
More information				

Make	Model	Part number	Description	Euro
RENAULT	Clio Mk3 RS 197 and 200 (2005-2012), no sunroof	R 019	14-point multi-point bolt-in roll cage with cross roof diagonal, cross diagonal and cross door bars. All parts 45mm CDS. Specification to MSA Blue Book and FIA Appendix J. Not homologated. Developed for the 2013 Michelin Renault Clio Cup Road Conversion category.	
		RBR019 3SXX	Front roll cage, cross roof bracing, for cross door bars.	€ 499,80
		RBR019 5SXX	Rear roll cage, cross diagonal, for cross door bars.	€ 574,00
		RBR019 DXUN	Nearside cross door bar.	€ 152,60
		RBR019 DXUO	Offside cross door bar.	€ 152,60
 <p>More information</p>				
RENAULT	Clio V6 (2001-2005)	R 015	Rear trackday cage featuring removable diagonal and removable backstays.	
		RBR015 5SRS	Rear cage, removable diagonal, removable backstays	€ 493,64
<p>More information</p>				
RENAULT	Megane Coupe (1995-2002)	R 014	6 point bolt-in cage. Clears all normal trim and dashboard. Available with single or cross door bars. Rear cage has single fixed diagonal. MSA/FIA homologated.	
		RBR014 3SSU	Front cage for single doorbars	€ 302,16
		RBR014 3SSX	Front cage for cross doorbars	€ 314,30
		RBR014 5SSU	Rear cage, single fixed diagonal, for single doorbars	€ 340,21
		RBR014 5SXU	Rear cage, cross diagonal and harness bar	€ 470,21
		RBR014 5SSX	Rear cage, single fixed diagonal, for cross doorbars	€ 352,35
		RBR014 5SXX	Rear cage, cross diagonal and harness bar	€ 482,35
		RBR014 DSUN	Single door bar N/S (left)	€ 74,23
		RBR014 DSUO	Single door bar O/S (right)	€ 74,23
		RBR014 DXUN	Cross door bar N/S (left)	€ 131,01
RBR014 DXUO	Cross door bar O/S (right)	€ 131,01		
 <p>More information</p>				
RENAULT	Megane Coupe (1995-2002)	R 011	17 point multi-point bolt-in cage. Front cage penetrates dashboard and has optional front triangulation to turrets. Rear cage features cross diagonals, harness bar and lower back-stays. Optional tunnel brace. MSA/FIA homologated.	
		RBR011 3SSX	Front cage including triangulation	€ 318,78
		RBR011 0FT	Front triangulation only	€ 198,27
		RBR011 5SXX	Rear cage, cross diagonal, harness bar	€ 449,19
		RBR011 0TB	Option tunnel brace	€ 90,48
		RBR011 DXUN	Cross door bar N/S (left)	€ 121,49
RBR011 DXUO	Cross door bar O/S (right)	€ 121,49		
 <p>More information</p>				

Make	Model	Part number	Description	Euro
RENAULT	Megane Coupe (1995-2002)	R 012	CDS full weld-in cage. Features front triangulation, dash bar, cross door bars, tunnel brace lower back stays, roof diagonal, cross diagonal and harness bar. MSA/FIA homologated	
		RBR012 6SXX	CDS full weld-in cage	€ 822,50
				
More information				
RENAULT	Megane Coupe (1995-2002)	R 013	T45 full weld-in cage with front triangulation, dashbar, cross door bars, tunnel brace, lower back stays, single roof diagonal, cross diagonal and harness bars. MSA/FIA homologated.	
		RBR013 6XXX	T45 full weld-in cage	POA
				
More information				