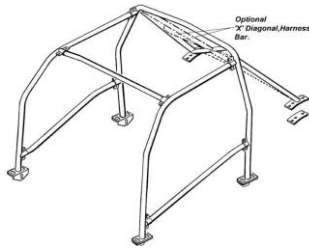
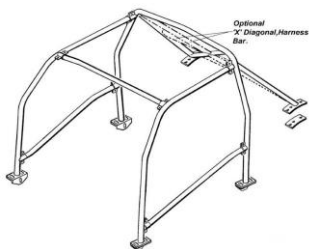
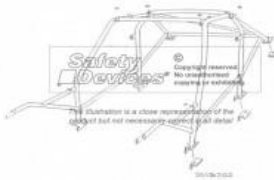
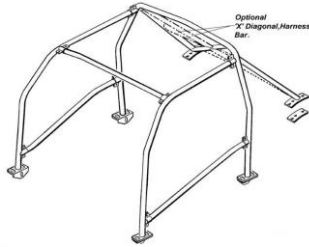
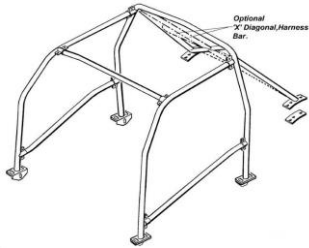

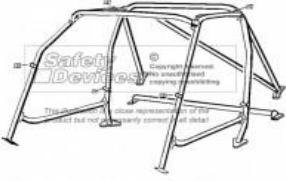


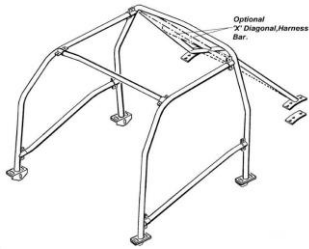
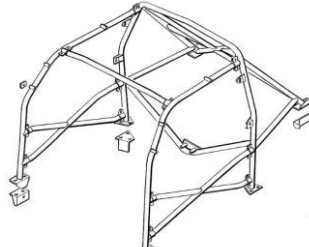
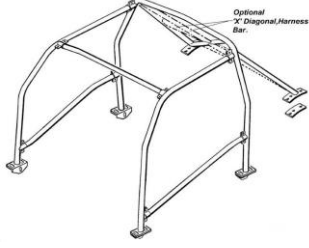


Make	Model	Part number	Description	Euro
TOYOTA	Celica TA22, no sunroof 	T 001	6 point bolt-in cage to clear normal trim and dashboard. Mounts to the floor and rear wheel arches. MSA/FIA homologated.	
		RBT001 3SSS	Front cage	€ 226,83
		RBT001 5SSS	Rear cage, single fixed diagonal	€ 345,07
		RBT001 5SXS	Rear cage, cross diagonal and harness bar	€ 475,07
		RB00A1	Universal door bar (1 required per side)	€ 65,00
More information				
TOYOTA	Celica A40, no sunroof 	T 004	6 point bolt-in cage. Clears normal trim and dashboard. Front cage mounts to floor. Rear cage mounts to floor and rear wheel arches. MSA/FIA homologated.	
		RBT004 3SSS	Front cage	€ 266,27
		RBT004 5SSS	Rear cage, single fixed diagonal	€ 384,51
		RBT004 5SXS	Rear cage, cross diagonal, harness bar	€ 524,51
		RB00A1	Universal door bar (1 required per side)	€ 65,00
More information				
TOYOTA	Celica GT-Four Turbo (160 Series) (1988 - 1993), no sunroof 	T 014	16 point multipoint bolt-in cage Front cage penetrates the dashboard and has front triangulation welded on to the front legs (not removable). Rear cage has single diagonal upper and lower backstays and a strut brace (harness bar). Single unique door bars. MSA/FIA homologated.	
		RBT014 3SMU	Front cage with triangulation welded on to the front legs (not removable).	€ 287,06
		RBT014 5SMU	Rear cage, single fixed diagonal, strut brace, lower back stays	€ 377,43
		RBT014 5SXU	Rear cage, cross diagonal, strut brace, lower back stays	€ 461,43
		RBT014 DSUN	Single door bar N/S (left)	€ 68,84
		RBT014 DSUO	Single door bar O/S (right)	€ 68,84
More information				

Make	Model	Part number	Description	Euro	
TOYOTA	Corolla SL KE25 Coupe, no sunroof	T 002	6 point bolt-in cage to clear normal trim and dashboard. Front cage mounts to floor and rear wheel arches. Certified for competition with fixed or removable diagonal. Use universal door bars. MSA/FIA homologated.		
			RBT002 3SSS	Front cage	€ 248,07
		RBT002 5SSS	Rear cage, single fixed diagonal	€ 375,48	
		RBT002 5SRS	Rear cage, single removable diagonal	€ 459,48	
		RBT002 5SXS	Rear cage, cross diagonal and harness bar	€ 505,48	
		RB00A1	Universal door bar (1 required per side)	€ 62,50	
More information					
TOYOTA	Corolla AE82 FWD, no sunroof	T 012	6 point bolt-in cage to clear normal trim and dashboard. Mounts to the floor and rear wheel arches. MSA/FIA homologated.		
			RBT012 3SSU	Front cage	€ 248,07
		RBT012 5SSU	Rear cage, single fixed diagonal	€ 375,48	
		RBT012 5SXU	Rear cage, cross diagonal and harness bar	€ 505,48	
		RBT012 DSUN	Single door bar N/S (left)	€ 71,69	
		RBT012 DSUO	Single door bar O/S (right)	€ 71,69	
More information					
TOYOTA	Corolla AE86 RWD, no sunroof	T 009	6 point or 14 point multi-point bolt-in cage to clear normal trim and dashboard. Mounts to the floor and rear wheel arches. MSA/FIA homologated.		
			RBT009 3SSU	Front cage 6 point	€ 272,55
		RBT009 3SMU	Front cage multi-point	€ 344,83	
		RBT009 5SSU	Rear cage, single fixed diagonal (for 6 point)	€ 368,77	
		RBT009 5SRU	Rear cage, single removable diagonal (for 6 point)	€ 530,53	
		RBT009 5SMU	Rear cage, single fixed diagonal (for multi-point)	€ 468,65	
		RBT009 5SXU	Rear cage, cross diagonal and harness bar (for 6 point)	€ 498,77	
		RBT009 5SMXU	Rear cage, cross diagonal and harness bar (for multi-point)	€ 598,65	
		RBT009 DSUN	Single door bar N/S (left) - for 6 & multi-point	€ 63,70	
		RBT009 DSUO	Single door bar O/S (right) - for 6 & multi-point	€ 63,70	
More information					

Make	Model	Part number	Description	Euro
TOYOTA	Corolla AE92, with sunroof	T 013	14 point multi-point bolt-in cage. Front cage penetrated dashboard. Rear cage has strut brace and harness bar as standard. Single unique door bars. Single unique door bars. MSA/FIA homologated.	
		RBT013 3SMU	Front cage	€ 263,48
		RBT013 5SMU	Rear cage, single fixed diagonal	€ 366,74
		RBT013 5SXU	Rear cage, cross diagonal and harness bar	€ 496,74
		RBT013 DSUN	Single door bar N/S (left)	€ 71,69
		RBT013 DSUO	Single door bar O/S (right)	€ 71,69
				
More information				
TOYOTA	MR2 Mk1 AW11, no sunroof	T 011	5 point bolt-in cage. Front cage avoids the dashboard. Rear cage mounts to the floor and upper seat belt mounts. Rear cage has fixed diagonal and detachable harness bar and Petty bar. MSA/FIA homologated (with Petty Bar only)	
		RBT011 3SSS	Front cage	€ 248,07
		RBT011 5SSS	Rear cage, single fixed diagonal, detachable harness bar and Petty Bar	€ 430,63
		RBT011 5SXS	Rear cage, cross diagonal and harness bar	€ 560,63
		RB00A1	Universal door bar (1 required per side)	€ 65,00
				
More information				
TOYOTA	MR2 Mk2 SW20	T 064	6 point bolt-in cage. Rear cage mounts to the floor, parcel shelf and upper seat belt mounts. Rear cage has fixed diagonal in hoop and in backstays. MSA compliant (45mm x 12g).	
		RBT064 3SSS	Front cage	€ 252,00
		RBT064 5SSS	Rear cage, single fixed diagonal	€ 455,00
		RBT064 5SXS	Rear cage, cross diagonal and harness bar	€ 585,00
		RBT064 DSUN	Single door bar N/S (left)	€ 71,40
RBT064 DSUO	Single door bar O/S (right)	€ 71,40		
				
More information				

Make	Model	Part number	Description	Euro
TOYOTA	Starlet KP60 Series, no sunroof 	T 006	6 point bolt-in cage. Clears normal trim and dashboard. Mounts in 6 places to the floor and rear wheel arches. MSA/FIA homologated. Use Universal door bars.	
		RBT006 3SSS	Front cage	€ 263,23
		RBT006 5SSS	Rear cage, single fixed diagonal	€ 371,21
		RBT006 5SXS	Rear cage, cross diagonal and harness bar	€ 501,21
		RB00A1	Universal door bar (1 required per side)	€ 65,00
More information				
TOYOTA	Starlet 3-door Hatchback (1996-1999) EP90 Series 	T 025	Multipoint bolt-in cage. Mounts to shell at 15 points. Front legs clear dashboard and mount to sills. Rear cage mounts to sills, has a single fixed diagonal, harness bar and detachable tunnel brace. The backstays mount to the rear wheel arches. The single unique door bars require the removal of the door pockets and arm rests. MSA/FIA homologated.	
		RBT025 3SMU	Front cage	€ 277,20
		RBT025 5SMU	Rear cage, single fixed diagonal	€ 526,40
		RBT025 5SXU	Rear cage, cross diagonal and harness bar	€ 656,40
		RBT025 DSUN	Single door bar N/S (left)	€ 71,40
RBT025 DSUO	Single door bar O/S (right)	€ 71,40		
More information				
TOYOTA	Aygo 	C 052	6 point bolt-in cage. All parts 45mm. Options for roof cross, cross door bars, lower backstays and rear turret brace. N.B. Single door bars will not fit cross door bar positions	
		RBC052 3SSU	Front cage for single door bars, no roof cross	€ 245,00
		RBC052 3SXU	Front cage for single door bars and roof cross	€ 287,00
		RBC052 3SXX	Front cage for cross door bars and roof cross	€ 315,00
		RBC052 5SSU	Rear cage, single fixed diagonal for single door bars, no roof cross	€ 322,00
		RBC052 5XSU	Rear cage, single fixed diagonal for single door bars and roof cross	€ 343,00
		RBC052 5SXX	Rear cage, cross diagonal, lower backstays, for roof cross and cross door bars	€ 420,00
		RBC052 SB	Rear strut brace/harness mount	€ 72,80
		RBC052 DSUN	Single door bar N/S (left)	€ 68,60
		RBC052 DSUO	Single door bar O/S (right)	€ 68,60
RBC052 DXUN	Cross Door bar N/S (left)	€ 127,40		
RBC052 DXUO	Cross Door bar O/S (right)	€ 127,40		
More information				