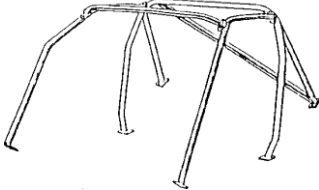

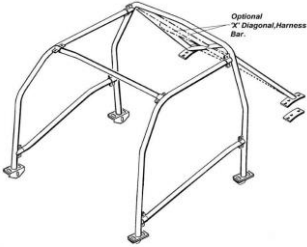
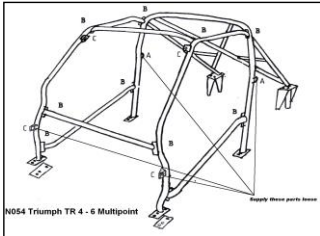




Make	Model	Part number	Description	Euro
TRIUMPH	Dolomite 	N 001	6-point bolt-in cage. Clears most trim. Rear cage mounts to floor and rear wheel arches. MSA/FIA homologated.	
		RBN001 3SSS	Front cage	€ 254,00
		RBN001 5SSS	Rear cage, single fixed diagonal	€ 373,80
		RBN001 5SXS	Rear cage, cross diagonal, harness bar	€ 457,80
		RB00A1	Universal door bar (1 required per side)	€ 65,00
More information				
TRIUMPH	TR7 COUPE, TR8 COUPE 	N 008	6-point bolt-in cage. Clears most trim. Front cage penetrates dashboard and mounts to floor. Rear cage mounts to floor and rear wheel arches. MSA/FIA homologated.	
		RBN008 3SSS	Front cage	€ 254,13
		RBN008 5SSS	Rear cage, single fixed diagonal, harness bar	€ 412,27
		RBN008 5SXS	Rear cage, cross diagonal, harness bar	€ 510,12
		RB00A1	Universal door bar (1 required per side)	€ 65,00
More information				
TRIUMPH	TR7 soft top, TR8 soft top	N 015	4-point bolt-in rear cage with fixed diagonal for competition use or without diagonal for road use. Clears most trim. Mounts to floor and rear wheel arches. MSA/FIA homologated with fixed diagonal.	
		RBN0154SSS	Rear cage, no diagonal (for road use).	€ 324,80
		RBN0155SSS	Rear cage, single fixed diagonal (for competition use).	€ 373,80
More information				

Make	Model	Part number	Description	Euro	
TRIUMPH	TR2, TR3, TR3A, TR3B	N 068	6-point bolt-in cage. Front cage penetrates dashboard and mounts to floor. Rear cage mounts to floor and rear wheel arches. MSA/FIA homologated.		
			RBN068 3SSS	Front cage	€ 251,09
		RBN068 5SSS	Rear cage, single fixed diagonal, harness bar	€ 404,57	
		RBN068 5SXS	Rear cage, cross diagonal and harness bar	€ 534,57	
		RBN068 DSUN	Door bar N/S (left)	€ 68,92	
		RBN068 DSUO	Door bar O/S (right)	€ 68,92	
More information					
TRIUMPH	TR4, TR4A, TR5 and TR6	N 054	Multi-point bolt-in cage. MSA/FIA homologated.		
			RBN054 3SSU	Front cage.	€ 347,44
		RBN054 5SSU	Rear cage, single fixed diagonal	€ 439,04	
		RBN054 5SXU	Rear cage, cross diagonal, harness bar	€ 579,04	
		RBN054 DSUN	Single door bar N/S (left)	€ 63,08	
		RBN054 DSUO	Single door bar O/S (right)	€ 63,08	
More information					
TRIUMPH	TR4, TR4A, TR5 and TR6	AB N033	4 point rear cage only. MSA/FIA homologated with single diagonal. Will fit soft top with minor modifications to hoodsticks.		
			ABN033 4SSN	Rear cage no diagonal.	€ 336,00
		ABN033 5SSN	Rear cage with diagonal.	€ 385,00	
More information					
TRIUMPH	TR4 and TR4A Surrey Top specific (will not fit a regular TR4 or TR4A).	AB N043	Rear cage for competition with fixed or removable diagonal. MSA/FIA homologated. Please note there will be a 50mm gap from the top of the hoop to the inside of the roof.		
		ABN043 4SSS	Rear cage without diagonal	€ 322,00	
		ABN043 5SSS	Rear cage with fixed diagonal	€ 351,40	
		ABN043 5SRS	Rear cage with removable diagonal	€ 431,20	
		ABN043 5SXS	Rear cage with fixed diagonal and strut brace	€ 431,20	
More information					

Make	Model	Part number	Description	Euro
AERO BARS:				
			Aero Bars are attractive, high quality roll bars for 'drop head' or 'soft top' cars. They are made by joining two splayed roll hoops at the top to form an 'A'. The splayed legs are then braced to produce a very sturdy frame. The bar is then hand upholstered in fine leather cloth (leatherette). Aero Bars are simple to fit, with all the fittings, nuts and bolts provided. Aero bars can be seen on many classic open top cars throughout the world, offering safety with style.	
TRIUMPH	Vitesse (convertible) and Herald (convertible)	ABN039 4SSS	Aero Bar (without leatherette cover). Sorry, we no longer offer a front cage for these models.	€ 364,00
TRIUMPH	Vitesse (convertible) and Herald (convertible)	ABN039 AERO	Leatherette covered Aero Bar. Sorry, we no longer offer a front cage for these models.	€ 423,54
TRIUMPH	TR7, TR8	ABN015 AERO	Leatherette covered Aero Bar	€ 423,54
TRIUMPH	Spitfire Mk1, Mk2, Mk4 and 1500	ABN005 NAERO	Leatherette covered Aero Bar - Narrow	€ 423,54
TRIUMPH	Spitfire Mk1, Mk2, Mk4 and 1500	ABN005 WAERO	Leatherette covered Aero Bar - Wide	€ 423,54
TRIUMPH	Spitfire Mk3	ABN040 AERO	Leatherette covered Aero Bar. The rear bar has to pivot forward in the car to get the soft top up and down.	€ 423,54
TRIUMPH	TR4, TR4A, TR5 and TR6	ABN007 NAERO	Leatherette covered Aero Bar - Narrow	€ 423,54
TRIUMPH	TR4, TR4A, TR5 and TR6	ABN007 WAERO	Leatherette covered Aero Bar - Wide	€ 423,54
TRIUMPH	TR2, TR3, and TR3A	ABN034 5SSS	Rear roll cage with single fixed diagonal	€ 378,00
		ABN034 5SSS	Rear roll cage with single fixed diagonal and harness bar (please specify addition of harness bar)	€ 462,00
	More information	ABN034 AERO	Leatherette covered Aero Bar	€ 423,54